

## Technical specifications

Weight	0.15 kg (0.33 lbs)
Power supply	9 - 16 V
Power consumption (@ 13.5 V)	Backlight OFF: 0.81 W (60 mA) Backlight MAX: 1.38 W (102 mA)
Network load	3 LEN
Housing	PC/ABS
Waterproofing standard	IPx7
Operating temperature	-25°C to +65°C (-13°F to +149°F)
Storage temperature	-40°C to +85°C (-40°F to +185°F)
Maximum humidity	100% RH
Connectors	1x male Micro-C



Other documentation  
available on:  
[www.bandg.com](http://www.bandg.com)



# B&G

## Triton<sup>2</sup> Pilot controller

User Guide

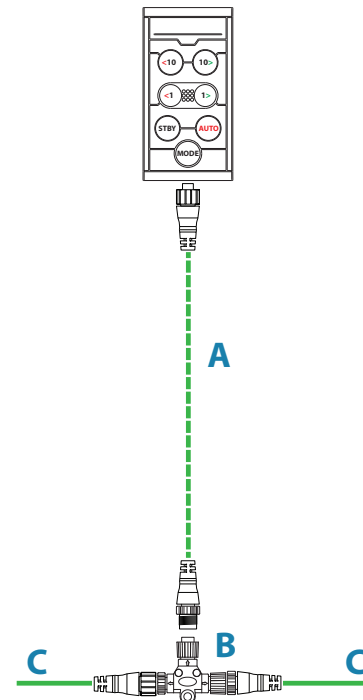
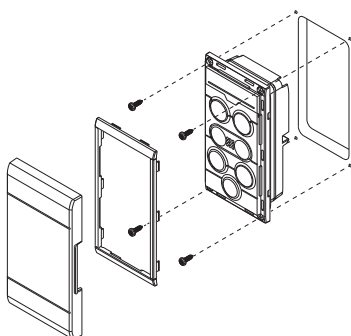
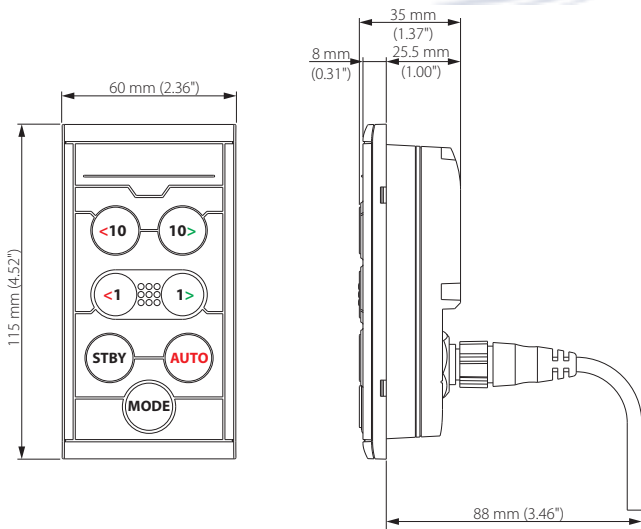
English



[www.bandg.com](http://www.bandg.com)

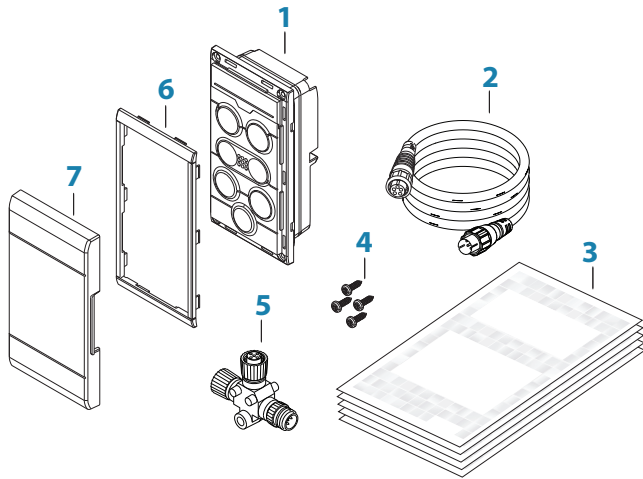
## Dimensions and mounting

## Wiring



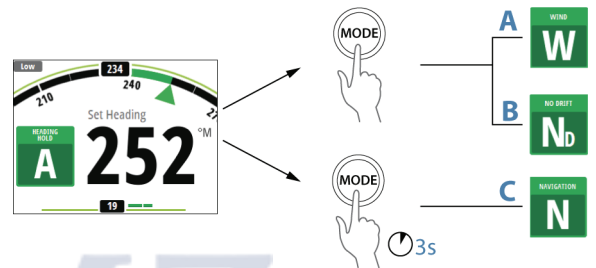
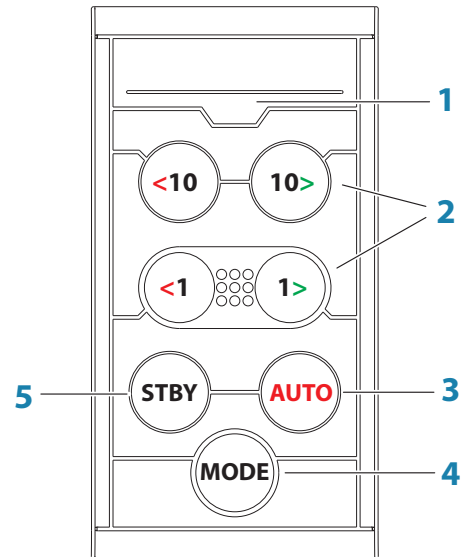
<b>A</b>	Micro-C Drop cable (female to male) max drop 6 m/20 ft
<b>B</b>	Micro-C T-connector
<b>C</b>	NMEA 2000 backbone

## Box content



1	Triton <sup>2</sup> Pilot controller
2	Micro-C Drop cable 0.6 m/2 ft
3	Documentation pack
4	Mounting screws (4 x #4 x 3/8" PN HD SS screws)
5	Micro-C T-connector
6	Bezel
7	Sun cover

## Operation



## Operation

1	<p><b>LED</b></p> <p>Mode and alarm indicator:</p> <ul style="list-style-type: none"> <li>AUTO mode: solid light</li> <li>Wind mode: flashing (80% on, 20% off)</li> <li>NAV mode; flashing (40% on, 60% off)</li> <li>Alarm on the network: rapid flashing</li> </ul> <p>Green in Day mode and red in Night mode.</p> <p>→ <b>Note:</b> No LED indication for NoDrift and Non-Follow modes.</p>
2	<p><b>Port and starboard keys</b></p> <p>In Standby mode: press to activate Non Follow Up mode (NFU)</p> <p>In AUTO mode:</p> <ul style="list-style-type: none"> <li>Press a key to change set heading 1° or 10° to port or starboard</li> <li>For boat types set to SAIL: press and hold both port keys or both starboard keys to start a tack/gybe</li> </ul> <p>In NoDrift mode:</p> <ul style="list-style-type: none"> <li>Press a key to change set heading 1° or 10° to port or starboard</li> </ul> <p>In Wind mode:</p> <ul style="list-style-type: none"> <li>Press to change set wind angle 1° or 10° to port or starboard</li> <li>Press both 1° keys to start a tack/gybe</li> </ul>
3	<p><b>AUTO key</b></p> <p>Press to activate AUTO mode.</p>

4	<p><b>MODE key</b></p> <p>→ <b>Note:</b> Only used when the autopilot is in AUTO or NoDrift mode.</p> <p>Press once to select mode:</p> <ul style="list-style-type: none"> <li>For boat type set to SAIL: activates Wind mode (<b>A</b>)</li> <li>For other boat type settings: activates NoDrift mode (<b>B</b>)</li> </ul> <p>Press and hold to activate NAV mode (<b>C</b>)</p>
5	<p><b>STBY key</b></p> <p>Press to activate Standby mode.</p>